

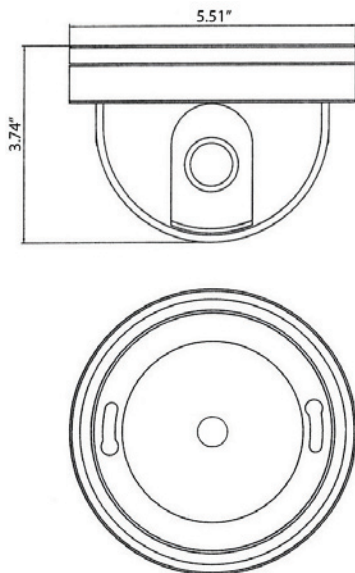


CE-VFCD954

Color Indoor Dome Camera

- SONY 1/3" CCD (Super HAD)
- 540 TVL Resolution
- Tamron 2.8 ~ 10.5mm Lens (F1.2)
- 3-Axis Adjustment
- Digital Signal Processing (DSP)
- On Screen Display (OSD) Menu
- DC12V / AC24V

Dimensions

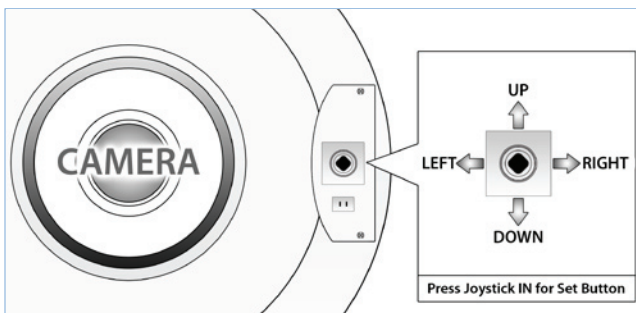


Specifications

Camera	CE-VFCD954
Image Sensor	SONY 1/3" Super HAD
Resolution	540 TV Lines
Effective Pixels	768 (H) x 494 (V)
Scanning System	2:1 Interlace
S/N Ratio	More than 50dB
Sync System	Internal
Minimum Illumination	0.1 Lux
Shutter Speed	1/60 ~ 1/100,000 sec.
Lens	2.8 ~ 10.5mm Vari-Focal F1.2
Video Output	1.0 Vp-p, 75Ω
Power Consumption	Max. 70mA (AC24V), Max. 140mA (DC12V)
Power Requirement	DC12V / AC24V
Operating Temperature	32°F ~ 113°F
Operating Humidity	Within 90% RH
Dimensions	5.51" (Dia.) x 3.74" (H)
Weight	3.30 lbs.
OSD Menu	Control with OSD Joystick
Camera Control & Setup	OSD Joystick
Lens	DC Video
Shutter	Fixed / Manual / FLK
White Balance Control	AWB / Fixed / Manual / ATW
Back Light	ON (Adjustable) / OFF
Gain Control	ON (Adjustable) / OFF
Adjust	Contrast, Sharpness, CB Gain, CR Gain
Special	Camera ID, Day/Night, Mirror, Motion, Privacy, Gamma, Reset

Information in this document is subject to change

OSD Control



Recommended Power Supply
All Clinton Electronics Power Supplies

